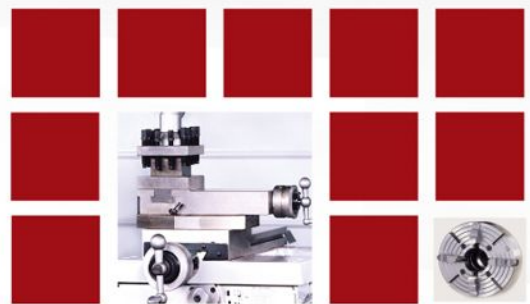
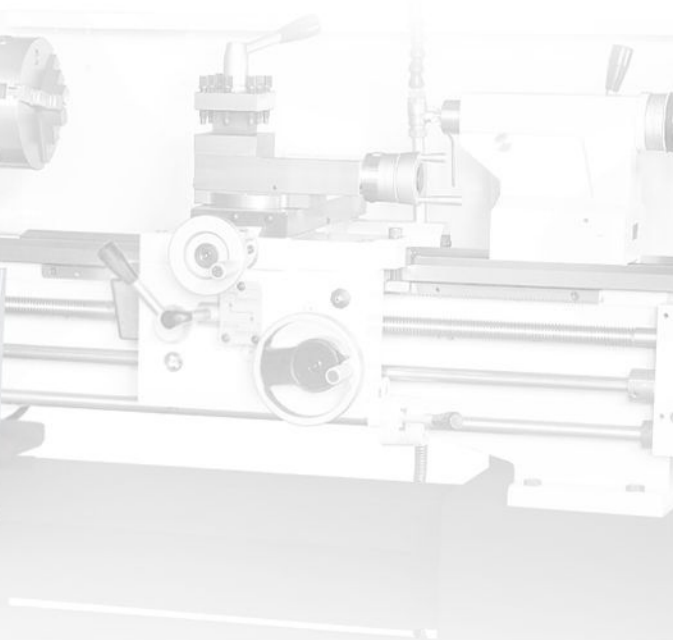




Santos y Patxi Servicio Técnico S.L.
Parque Empresarial ESSER Nave SE-5
20850 Mendaro (Guipúzcoa) España
Tlf. 943741658 Fax. 943742346
Email. santosjose@santosypatxi.com
Wed. www.santosypatxi.com

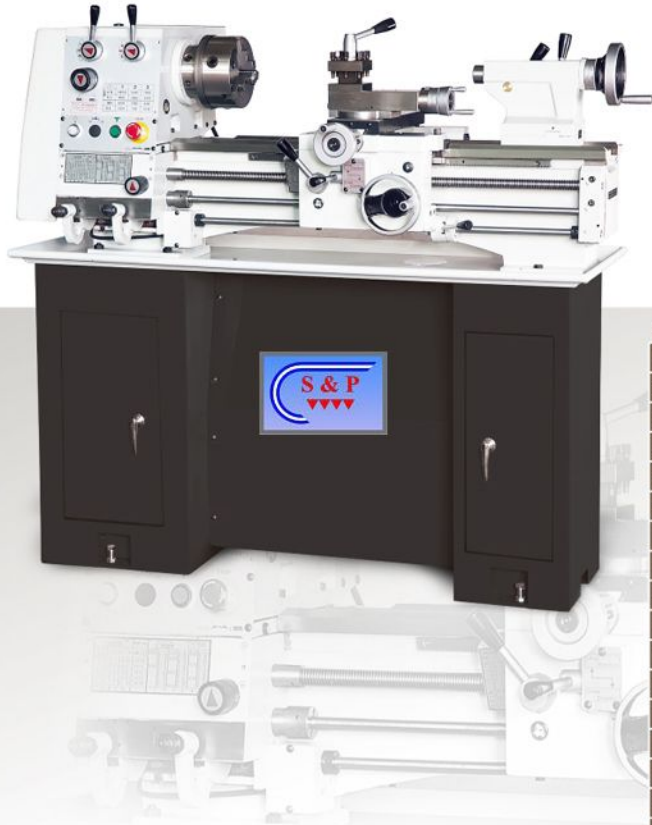


www.richyoung.com.tw

GEAR HEAD TYPE

Conventional Precision Lathe

RIC-T1224



STANDARD ACCESSORIES

- Motor (1-1/2HP) & Motor Pulley
- D1-4 Back Plate for 6" Chuck
- D1-4 Back Plate for 8" Chuck
- Center (MT#3)
- Center Sleeve (MT#5 X MT#3)
- Tool Box & Tools
- 4-Way Tool Post
- Follow Rest
- Steady Rest
- Gap Bed for RIC-T1236GH, RIC-T1336GH, RIC-T1340GH only

OPTIONAL ACCESSORIES

- 3-Jaw Scroll Chuck 6" (150mm)
- 4-Jaw Independent Chuck 8" (200mm)
- Face Plate 10" (250mm)
- Drill Chuck 1/2" (13mm)
- Rolling Center (MT#3)
- Floor Stand
- Coolant Pump System
- Taper Attachment
- Single Tool Post
- Milling Attachment

SPECIFICATIONS

MODEL	RIC-T1216	RIC-T1224	RIC-T1236GH	RIC-T1336GH	RIC-T1340GH
Swing Over Bed	305mm (12")	305mm (12")	305mm (12")	330mm (13")	330mm (13")
Swing Over Saddle	153mm (6")	153mm (6")	153mm (6")	165mm (6-1/2")	165mm (6-1/2")
Distance Between Centers	406mm (16")	610mm (24")	915mm (36")	915mm (36")	1000mm (40")
Width of Bed	190mm (7-1/2")	190mm (7-1/2")	190mm (7-1/2")	190mm (7-1/2")	190mm (7-1/2")
Spindle Bore	40mm (1-9/16")	40mm (1-9/16")	40mm (1-9/16")	40mm (1-9/16")	40mm (1-9/16")
Taper of Spindle Nose Bushing	MT#5	MT#5	MT#5	MT#5	MT#5
Taper of Tailstock Barrel	MT#3	MT#3	MT#3	MT#3	MT#3
Spindle Nose	D1-4	D1-4	D1-4	D1-4	D1-4
Travel of Cross Slide	190mm (7-1/2")	190mm (7-1/2")	170mm (6-3/4")	170mm (6-3/4")	170mm (6-3/4")
Travel of Top Slide	90mm (3-1/2")	90mm (3-1/2")	90mm (3-1/2")	90mm (3-1/2")	90mm (3-1/2")
Travel of Tailstock Barrel	100mm (4")	100mm (4")	100mm (4")	100mm (4")	100mm (4")
Number of Spindle Speeds	12	12	12	12	12
Range of Spindle Speeds	70-1400rpm	70-1400rpm	70-1400rpm	70-1400rpm	70-1400rpm
Number of Metric Threads	24	24	24	24	24
Range of Metric Pitches	0.25-7mm	0.25-7mm	0.25-7mm	0.25-7mm	0.25-7mm
Number of Inch Threads	40	40	40	40	40
Range of Inch Threads	4-112 TPI	4-112 TPI	4-112 TPI	4-112 TPI	4-112 TPI
Lead Screw Diameter & Pitches	22 x 4mm (7/8" x 8 TPI)	22 x 4mm (7/8" x 8 TPI)	22 x 4mm (7/8" x 8 TPI)	22 x 4mm (7/8" x 8 TPI)	22 x 4mm (7/8" x 8 TPI)
Motor Horse Power	1.0KW (1-1/2HP)	1.0KW (1-1/2HP)	1.0KW (1-1/2HP)	1.0KW (1-1/2HP)	1.0KW (1-1/2HP)
Machine Weight	260 kg	280 kg	300 kg	310 kg	320 kg

RIC-T1324



STANDARD ACCESSORIES

- 2HP/1PH or 3HP/3PH Main Drive Motor
- Rapid Foot Brake
- 4-Way Tool Post
- 6" & 8" Back Plate (D1- 4)
- Thread Dial
- Gap Bed
- Center (MT#3)
- Center Sleeve (MT#5×3)
- Set of Change Gears
- Tool Box & Tools
- Complete Electric Control Unit
- Dual Dials
- Face Plate 250mm (10")
- Steady Rest
- Follow Rest
- Rear Splash Guard
- 1/8HP Coolant Pump Equipment
- Floor Stand

OPTIONAL ACCESSORIES

- 3-Jaw Scroll Chuck 6" (150mm)
- 4-Jaw Independent Chuck 8" (200mm)
- Quick Change Tool Post
- Single Tool Post
- Taper Attachment
- Bed Micro Stop
- Live Center (MT#3)
- Work Lamp
- Drill Chuck 13mm (1/2") W/Arbor
- Chuck Guard
- 4-Position Saddle Stop
- Milling Attachment

SPECIFICATIONS

MODEL	RIC-T1324E	RIC-T1340E	RIC-T1440E
Swing Over Bed	330mm (13")	330mm (13")	360mm (14")
Swing Over Cross Slide	195mm (7-5/8")	195mm (7-5/8")	225mm (8-3/4")
Distance Between Centers	600mm (24")	1000mm (40")	1000mm (40")
Swing Over Gap	—	490mm (19-1/4")	520mm (20-3/4")
Width of Bed	190mm (7-1/2")	190mm (7-1/2")	190mm (7-1/2")
Number of Spindle Speeds	9	9	9
Range of Spindle Speeds	82-2000rpm	82-2000rpm	82-2000rpm
Hole Through Spindle	40mm (1-1/2")	40mm (1-1/2")	40mm (1-1/2")
Spindle Nose	D 1- 4	D 1- 4	D 1- 4
Taper of Spindle Bore	MT#5	MT#5	MT#5
Tailstock Quill Taper	MT#3	MT#3	MT#3
Tailstock Quill Travel	110mm (4-3/8")	110mm (4-3/8")	110mm (4-3/8")
Cross Slide Travel	175mm (6-7/8")	175mm (6-7/8")	175mm (6-7/8")
Compound Rest Travel	100mm (4")	100mm (4")	100mm (4")
Metric Threads	(30) 0.4-7.0mm	(30) 0.4-7.0mm	(30) 0.4-7.0mm
Inch Threads	(32) 4-56 TPI	(32) 4-56 TPI	(32) 4-56 TPI
Longitudinal Feeds	0.068-0.936mm (0.0016"-0.03") / rev	0.068-0.936mm (0.0016"-0.03") / rev	0.068-0.936mm (0.0016"-0.03") / rev
Cross Feeds	0.034-0.468mm (0.0008"-0.015") / rev	0.034-0.468mm (0.0008"-0.015") / rev	0.034-0.468mm (0.0008"-0.015") / rev
Machine Weight	560 kg	600 kg	620 kg

RIC-T1440 VS



STANDARD ACCESSORIES

- 3HP/3PH Main Drive Motor
- Rapid Foot Brake
- 4-Way Tool Post
- 6" & 8" Back Plate (D1- 4)
- Thread Dial
- Gap Bed
- Center (MT#3)
- Center Sleeve (MT#5×3)
- Set of Change Gears
- Tool Box & Tools
- Complete Electric Control Unit
- Dual Dials
- Face Plate 250mm (10")
- Steady Rest
- Follow Rest
- Rear Splash Guard
- 1/8HP Coolant Pump Equipment
- Floor Stand

OPTIONAL ACCESSORIES

- 3-Jaw Scroll Chuck 6" (150mm)
- 4-Jaw Independent Chuck 8" (200mm)
- Quick Change Tool Post
- Single Tool Post
- Taper Attachment
- Bed Micro Stop
- Live Center (MT#3)
- Work Lamp
- Drill Chuck 13mm (1/2") W/Arbor
- Chuck Guard
- 4-Position Saddle Stop
- Milling Attachment

SPECIFICATIONS

MODEL	RIC-T1440TS	RIC-T1440VS
Swing Over Bed	360mm (14")	360mm (14")
Swing Over Gap	520mm (20-3/4")	520mm (20-3/4")
Swing Over Cross Saddle	225mm (8-3/4")	225mm (8-3/4")
Center Height	170mm (6-3/4")	170mm (6-3/4")
Distance Between Centers	1000mm (40")	1000mm (40")
Spindle Nose	D1- 4	D1- 4
Spindle Bore Diameter	40mm (1-1/2")	40mm (1-1/2")
Type of Center	MT#5	MT#5
Taper of Center	MT#3	MT#3
Spindle Speeds	12 speeds 50-2000rpm	variable speeds: (H) 340-2500rpm / (L) 36-340rpm
Cross Slide Travel	195mm (7-7/8")	195mm (7-7/8")
Compound Rest Travel	96mm (3-3/4")	96mm (3-3/4")
Spindle Diameter	40mm (1-9/16")	40mm (1-9/16")
Spindle Travel	110mm(4-3/8")	110mm (4-3/8")
Length of Bed	1372mm (54")	1372mm (54")
Width of Bed	230mm (9")	230mm (9")
Width of Gap	195mm (7-5/8")	195mm (7-5/8")
Leadscrew Diameter	24mm (15/16")	24mm (15/16")
Pitch	4mm (1/4" TPI)	4mm (1/4" TPI)
Metric Threads	0.4-7mm / pitch (30 kinds)	0.4-7mm / pitch (30 kinds)
Inch Threads	3-56 TPI (32 kinds)	3-56 TPI (32 kinds)
Longitudinal Feeds	0.068-0.936mm (0.0016"-0.03") / rev	0.068-0.936mm (0.0016"-0.03") / rev
Cross Feeds	0.034-0.468mm (0.0008"-0.015") / rev	0.034-0.468mm (0.0008"-0.015") / rev
Main Drive Motor	3HP	3HP
Coolant Pump Motor	1/8HP	1/8HP
Floor Dimension	1720 × 762mm (67-3/4" × 30")	1720 × 762mm (67-3/4" × 30")
Machine Weight	660 kg	660 kg

RIC-T1640



STANDARD ACCESSORIES

- 5HP/3PH Main Drive Motor
- 1/8HP Coolant Pump
- 4-Way Tool Post
- Rear Splash Guard
- 8" D1-6 Back Plate (200mm)
- Center (MT#4)
- Center Sleeve (MT#6×4)
- Tool Box & Tools

OPTIONAL ACCESSORIES

- 3-Jaw Scroll Chuck 8" (200mm)
- 4-Jaw Independent Chuck 10" (250mm)
- Face Plate D1-6 (356mm) 14"
- Steady Rest
- Follow Rest
- Chuck Guard
- Work Lamp
- D1-6 Back Plate 10"(250mm)
- Quick Change Tool Post (With 4 toolholders) (With 6 toolholders)
- Taper Attachment
- Live Center (MT#4)
- Drill Chuck 1/2" (13mm) W/Arbor
- Carriage Micro Stop
- 4-Position Carriage Stop
- Tool Slide Guard

SPECIFICATIONS

MODEL	RIC-T1640	RIC-T1660
Swing Over Bed	400mm (16")	400mm (16")
Swing Over Cross Slide	242mm (9-1/2")	242mm (9-1/2")
Center Height	200mm (8")	200mm (8")
Distance Between Centers	1000mm (40")	1500mm (60")
Swing Over Gap	552mm (21-3/4")	552mm (21-3/4")
Width in Front of Face Plate	160mm (6-5/16")	160mm (6-5/16")
Width of Bed	260mm (10")	260mm (10")
Length of Bed	1765mm (69")	2265mm (89")
Spindle Bored to Pass	55mm (2-3/16")	55mm (2-3/16")
Spindle Nose	D1- 6	D1- 6
Spindle Speeds	12 speeds 50-2000rpm	12 speeds 50-2000rpm
Main Motor	5HP, 3PH, 50 / 60HZ (3.75KW)	5HP, 3PH, 50 / 60HZ (3.75KW)
Coolant Pump Motor	1/8HP, 1PH or 3PH (0.1KW)	1/8HP, 1PH or 3PH (0.1KW)
Tailstock Quill Diameter	52mm (2-1/16")	52mm (2-1/16")
Tailstock Quill Taper	MT#4	MT#4
Tailstock Quill Travel	110mm (4-3/8")	110mm (4-3/8")
Cross Slide Travel	190mm (7-1/2")	190mm (7-1/2")
Top Slide Travel	90mm (3-9/16")	90mm (3-9/16")
Metric Threads	(32) 0.4-7.0mm pitch	(32) 0.4-7.0mm pitch
Inch Threads	(32) 4-56 TPI	(32) 4-56 TPI
Metric Longitudinal Feeds	(20) 0.029-0.412mm / rev	(20) 0.029-0.412mm / rev
Inch Longitudinal Feeds	(20) 0.0017"-0.0242" / rev	(20) 0.0017"-0.0242"/ rev
Metric Cross Feeds	(20) 0.0096-0.137mm / rev	(20) 0.0096-0.137mm / rev
Inch Cross Feeds	(20) 0.00056"-0.008"/ rev	(20) 0.00056"-0.008"/ rev
Machine Weight	870 kg	1000 kg

SPECIFICATIONS

MODEL	RIC-T1840	RIC-T1860	RIC-T1880	RIC-T2140	RIC-T2160	RIC-T2180	RIC-T21120	RIC-T2540	RIC-T2560	RIC-T2580	RIC-T25120
CAPACITY											
Center Height	230mm			270mm				315mm			
Swing Over Bed	460mm			540mm				630mm			
Swing Over Gap	660mm (OPT.)			680mm (OPT.)				770mm (OPT.)			
Swing Over Cross Slide	290mm			360mm				450mm			
Distance Between Centers	1000mm	1500mm	2000mm	1000mm	1500mm	2000mm	3000mm	1000mm	1500mm	2000mm	3000mm
HEADSTOCK											
Spindle Nose	D1-6			D1-8		A2-11 (OPT.)		D1-8		A2-11	
Spindle Bore	56mm			85mm		105mm (OPT.)		85mm		105mm (OPT.)	
Spindle Speeds (18 Steps)	39-2800rpm			25-1545rpm		23-1293rpm		25-1545rpm		23-1293rpm	
Spindle Speeds (With Inverter)	H:3100~681rpm			H:2250~491rpm		H:1500~331rpm		H:2250~491rpm		H:1500~331rpm	
	M:680~153rpm			M:490~126rpm		M:330~93rpm		M:490~126rpm		M:330~93rpm	
	L:152~33rpm			L:125~27rpm		L:92~20rpm		L:125~27rpm		L:92~20rpm	
CARRIAGE											
Cross Slide Travel	280mm			330mm				330mm			
Compound Rest Travel	120mm			150mm				150mm			
TAILSTOCK											
Tailstock Quill Diameter	75mm			75mm				75mm			
Tailstock Quill Travel	170mm			170mm				170mm			
Tailstock Quill Taper	MT#5			MT#5				MT#5			
BED											
Bed Width	350mm			350mm				350mm			
THREADING											
Lead Screw	4TPI or 6mm/pitch			4TPI or 6mm/pitch				4TPI or 6mm/pitch			
Metric Pitch Threads	0.5-7mm/pitch (24 kinds)			0.5-7mm/pitch (24 kinds)				0.5-7mm/pitch (24 kinds)			
Inch Threads	4-56TPI (36 kinds)			4-56TPI (36 kinds)				4-56TPI (36 kinds)			
Module Pitch Threads	0.25-3.5M (16 kinds)			0.25-3.5M (16 kinds)				0.25-3.5M (16 kinds)			
DP Threads	8-112P (36 kinds)			8-112P (36 kinds)				8-112P (36 kinds)			
FEEDING RANGE											
Range Of Longitudinal Feeds	0.06-0.88mm/rev.			0.06-0.88mm/rev.				0.06-0.88mm/rev.			
Range Of Cross Feeds	0.03-0.44mm/rev.			0.03-0.44mm/rev.				0.03-0.44mm/rev.			
MOTOR											
Main Spindle Motor	7-1/2HP / 10HP (OPT.)			10HP / 15HP (OPT.)				10HP / 15HP (OPT.)			
Rapid Feed Motor	90W (OPT.)			90W (OPT.)				90W (OPT.)			
Coolant Pump Motor	1/8HP			1/8HP				1/8HP			
MACHINE WEIGHT											
Net Weight Approx.	2000 kg	2300 kg	2600 kg	2400 kg	2700 kg	3100 kg	3200 kg	2550 kg	2850 kg	3250 kg	3350 kg



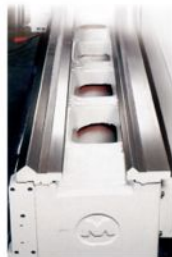
TAILSTOCK

Rigid constructed tailstock is able to facilitate making precision turning and drilling. Tailstock quill is hardened and precision ground



HEADSTOCK

All geared headstock provides wide range of spindle speed and the gears are made of chrome-molybdenum alloy steel (SCM 21), Carburizing treated, finish ground for smooth and quiet running. Combined of forced lubrication and oil bathed in headstock which can be prolonged servicing life



BED

Wide bed and box constructed, bed ways are high frequency heat treated, precision ground which can be avoided vibration and tool chattering during made heavy duty processing

STANDARD ACCESSORIES:

- Main Drive Motor 1 SET
- Coolant Equipment 1 SET
- 4 Way Tool Post 1 SET
- Center Sleeve 1 PC
- Center 2 PCS
- Tool Box & Tools 1 SET

OPTIONAL ACCESSORIES:

- Steady Rest
- Follow Rest
- 3-Jaw Scroll Chuck
- 4-Jaw Independent Chuck
- Face Plate
- Gap Bed

- Splash Guard
- Work Lamp
- Quick Change Tool Post
- Magnetic Clutch & Brake
- Taper Attachment
- Micro-meter Bed Stopper

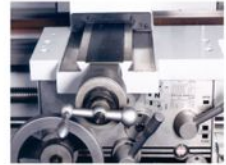
- Turret Type 5 Position Bed Stopper
- Live Center
- Digital Read Out
- CE Conformity
- Z-axis Rapid Travel

SPECIFICATIONS

MODEL	RIC-T3060	RIC-T3080	RIC-T30120	RIC-T30160	RIC-T30200	RIC-T30240	RIC-T3360	RIC-T3380	RIC-T33120	RIC-T33160	RIC-T33200	RIC-T33240	
CAPACITY													
Center Height	385mm						420mm						
Swing Over Bed	770mm						840mm						
Swing Over Gap	980mm (OPT.)						1020mm (OPT.)						
Swing Over Cross Slide	500mm						570mm						
Distance Between Centers	1600mm	2100mm	3100mm	4100mm	5100mm	6100mm	1600mm	2100mm	3100mm	4100mm	5100mm	6100mm	
HEADSTOCK													
Spindle Nose	A2-11			A2-11			A2-11		A2-11		A2-15		A2-20
Spindle Bore	105mm			153mm (OPT.)			105mm		153mm (OPT.)		230mm (OPT.)		305mm (OPT.)
Spindle Speeds (18 Steps)	23-1293rpm			13-690rpm			23-1293rpm		13-690rpm		8-408rpm		N/A
Spindle Speeds (With Inverter)	H:1500~331rpm			H:800~176rpm			H:1500-331rpm		H:800-176rpm		H:450-108rpm		H:350-87rpm
	M:330~93rpm			M:175~53rpm			M:330-93rpm		M:175-53rpm		M:107-31rpm		M:85-26rpm
	L:92~20rpm			L:52~10rpm			L:92-20rpm		L:52~10rpm		L:30-6rpm		L:25-5rpm
CARRIAGE													
Cross Slide Travel	450mm						450mm						
Compound Rest Travel	200mm						200mm						
TAILSTOCK													
Tailstock Quill Diameter	105mm						105mm						
Tailstock Quill Travel	220mm						220mm						
Tailstock Quill Taper	MT#5						MT#5						
BED													
Bed Width	450mm						450mm						
THREADING													
Lead Screw	2TPI or 12mm/pitch						2TPI or 12mm/pitch						
Metric Pitch Threads	0.08-14mm/pitch (65 kinds)						0.08-14mm/pitch (65 kinds)						
Inch Threads	2-28TPI (36 kinds)						2-28TPI (36 kinds)						
Module Pitch Threads	0.5-7M (22 kinds)						0.5-7M (22 kinds)						
DP Threads	4-56TPI (36 kinds)						4-56TPI (36 kinds)						
FEEDING RANGE													
Range Of Longitudinal Feeds	0.05-0.70mm/rev.						0.05-0.70mm/rev.						
Range Of Cross Feeds	0.025-0.35mm/rev.						0.025-0.35mm/rev.						
MOTOR													
Main Spindle Motor	15HP/20HP (OPT.)						15HP/20HP (OPT.)						
Rapid Feed Motor	1/4HP						1/4HP						
Coolant Pump Motor	1/8HP						1/8HP						
MACHINE WEIGHT													
Net Weight Approx.	3350 kg	3600 kg	4100 kg	4600 kg	5100 kg	5700 kg	3450 kg	3700 kg	4200 kg	4700 kg	5200 kg	5800 kg	


ELECTRIC CABINET

Safely designed of electrical cabinet is easy to maintain and install, A 24 volts protecting voltage is not harmed to operator whom is shocked.


COMPOUND TOOL REST

The slide way for carriage & saddle are heat treated and precision ground and a hand oiler provides lubrication for longitudinal and cross motion.

STANDARD ACCESSORIES:

- Main Drive Motor 1 SET
- Coolant Equipment 1 SET
- 4 Way Tool Post 1 SET
- Center Sleeve 1 PC
- Center 2 PCS
- Z-axis Rapid Travel 1 SET
- Tool Box & Tools 1 SET

OPTIONAL ACCESSORIES:

- Steady Rest
- Follow Rest
- 3-Jaw Scroll Chuck
- 4-Jaw Independent Chuck
- Face Plate
- Gap Bed
- Splash Guard
- Work Lamp
- Quick Change Tool Post
- Magnetic Clutch & Brake
- Taper Attachment
- Micro-meter Bed Stopper

- Turret Type 5 Position Bed Stopper
- Live Center
- Digital Read Out
- CE Conformity



RIC-T2560



RIC-T1840



RIC-T30120

SPECIFICATIONS

MODEL	RIC-T3880	RIC-T38120	RIC-T38160	RIC-T38200	RIC-T38240	RIC-T38280	RIC-T38320	RIC-T38360	RIC-T4580	RIC-T45120	RIC-T45160	RIC-T45200	RIC-T45240	RIC-T45280
	RIC-T4280	RIC-T42120	RIC-T42160	RIC-T42200	RIC-T42240	RIC-T42280	RIC-T42320	RIC-T42360	RIC-T5180	RIC-T51120	RIC-T51160	RIC-T51200	RIC-T51240	RIC-T51280
CAPACITY														
Swing Over Bed	960mm				1060mm				1160mm				1310mm	
Swing Over Cross Slide	650mm				750mm				850mm				1000mm	
Swing Over Gap	1510mm				1610mm				1700mm				1850mm	
Width of Gap	560mm								660mm					
Distance Between Centers	2000mm	3000mm	4000mm	5000mm	6000mm	7000mm	8000mm	9000mm	2000mm	3000mm	4000mm	5000mm	6000mm	7000mm
Width of Bed	560mm											660mm		
HEADSTOCK														
Spindle Bore	Φ153mm, Φ230mm (OPT.), Φ310mm (OPT.), Φ360mm (OPT.), Φ510mm (OPT.)										Φ153mm, Φ230mm (OPT.)			
Spindle Nose	A2-11, A2-15 (OPT.), A2-20 (OPT.), A2-25 (OPT.)										A2-11			
Spindle Taper	MT#6										MT#6			
Range of Spindle Speeds	9-600rpm, 6-400rpm (OPT.), 4-300rpm (OPT.), 3-250rpm (OPT.), 2-150rpm (OPT.)										3-300rpm, 25-250rpm (OPT.)			
THREADS AND FEEDS														
Lead Screw	Φ50mm × 2 TPI										Φ57mm × 2 TPI			
Inch Threads	1-16 TPI (48 kinds)										1/4-30 TPI (70 kinds)			
Metric Threads	2-30mm (48 kinds)										1-120mm (62 kinds)			
Longitudinal Feeds	0.13-1.92 (48 kinds)										0.085-10.08mm/rev.			
Cross Feeds	0.065-0.96 (48 kinds)										0.042-5.04mm/rev.			
CARRIAGE														
Cross Slide Travel	540mm										635mm			
Compound Rest Travel	300mm										420mm			
TAILSTOCK														
Diameter of Quill	Φ125mm										Φ125mm			
Travel of Quill	300mm										340mm			
Taper of Quill	MT#6										MT#6			
MOTOR														
Main Motor	20HP, 25HP (OPT.), 30HP (OPT.)										25HP, 30HP (OPT.)			
Rapid Travel Motor	1/2HP										1HP			
MACHINE WEIGHT														
Net Weight Approx.	6100 kg	7450 kg	8550 kg	9650 kg	10750 kg	11850 kg	12950 kg	14050 kg	8500 kg	9700 kg	10900 kg	12100 kg	13300 kg	14500 kg
	7250 kg	8450 kg	9850 kg	11250 kg	12750 kg	15500 kg	16500 kg	17500 kg	8700 kg	9900 kg	11100 kg	12300 kg	13500 kg	14700 kg

For T3800/4200 Series

STANDARD ACCESSORIES:

- 4 Way Tool Post 1 PC
- Coolant System 1 SET
- Center & Center Sleeve 1 SET
- X, Y Axes Rapid Traverse 1 SET
- Back Plate for 3-Jaw Chuck 1 PC
- Tool Box & Tools 1 SET

OPTIONAL ACCESSORIES:

- 3-Jaw Scroll Chuck
- 4-Jaw Independent Chuck
- 4-Jaw Face Plate
- Taper Attachment
- Work Lamp
- Digital Read Out
- Splash Guard
- Steady Rest
- Follow Rest
- Quick Change Tool Post
- Rear Tool Post
- Micro-meter Bed Stopper

- CE Conformity
- Chuck Guard
- Post Guard
- Grinding Device
- Boring Device
- Copy Device

For T4500/5100 Series

STANDARD ACCESSORIES:

- 4-Jaw Face Plate 1 PC
- Steady Rest 1 PC
- Center 2 PCS
- Center Sleeve 1 PC
- Tool Box & Tools 1 SET
- Foundation Bolts 1 SET

OPTIONAL ACCESSORIES:

- 3-Jaw Scroll Chuck
- 4-Jaw Independent Chuck
- Follow Rest
- Coolant Equipment
- Taper Attachment
- Work Lamp

SPECIFICATIONS

MODEL	RIC-T59120	RIC-T59160	RIC-T59240	RIC-T59280	RIC-T59320	RIC-T59360	RIC-T59400	RIC-T6580	RIC-T65120	RIC-T65160	RIC-T65200	RIC-T65240	RIC-T65280	RIC-T65320	RIC-T65360	
CAPACITY																
Swing Over Bed				Φ1500mm							Φ1650mm		Φ1850mm (OPT.)		Φ2000mm (OPT.)	
Swing Over Cross Slide				1200mm							1320mm		1520mm		1670mm	
Swing Over Gap				2050mm							2200mm		2400mm		2550mm	
Width of Gap				560mm							610mm or 750mm (OPT.)					
Distance Between Centers	3000mm	4000mm	5000mm	6000mm	7000mm	8000mm	9000mm	2000mm	3000mm	4000mm	5000mm	6000mm	7000mm	8000mm	9000mm	
Width of Bed				850mm							1016mm					
HEADSTOCK																
Spindle Bore				Φ153mm							Φ153mm or Φ200mm (OPT.)					
Spindle Nose				A2-15							A2-15					
Spindle Taper				MT#6							MT#7					
Range of Spindle Speeds				2.5 - 250rpm or 4 - 400rpm (OPT.)							1.7-170rpm					
THREADS AND FEEDS																
Lead Screw				Φ57mm × 2 TPI							Φ65mm × 2 TPI or P= 12mm/Thread (OPT.)					
Inch Threads				1/2 - 30 TPI (160 kinds)							1/2 - 30 TPI (50 kinds)					
Metric Threads				1 - 60mm (52 kinds)							1 - 60mm (52 kinds)					
Longitudinal Feeds				0.085 - 5.04mm/rev.							0.08 - 5.0mm/rev.					
Cross Feeds				0.042 - 2.52mm/rev.							0.04 - 2.5mm/rev.					
CARRIAGE																
Cross Slide Travel				750mm or 800mm (OPT.) or 950mm (OPT.)							1000mm					
Compound Rest Travel				400mm							450mm					
TAILSTOCK																
Diameter of Quill				Φ180mm							Φ180mm or Φ240mm (OPT.)					
Travel of Quill				300mm							320mm					
Taper of Quill				MT#6 or MT#7 (OPT.)							MT#7					
MOTOR																
Main Motor				25HP or 30HP (OPT.)							30HP or 40HP (OPT.) or 50HP (OPT.)					
Rapid Travel Motor				1 HP							2HP					
Net Weight Approx.	12,600 kg	14,000 kg	15,400 kg	16,800 kg	18,200 kg	19,600 kg	21,000 kg	15,000 kg	17,000 kg	19,000 kg	21,000 kg	23,000 kg	25,000 kg	27,000 kg	29,000 kg	



The 3rd Rail Enhances
The Cutting Force

Longitudinal Stop Device



Double Chuck



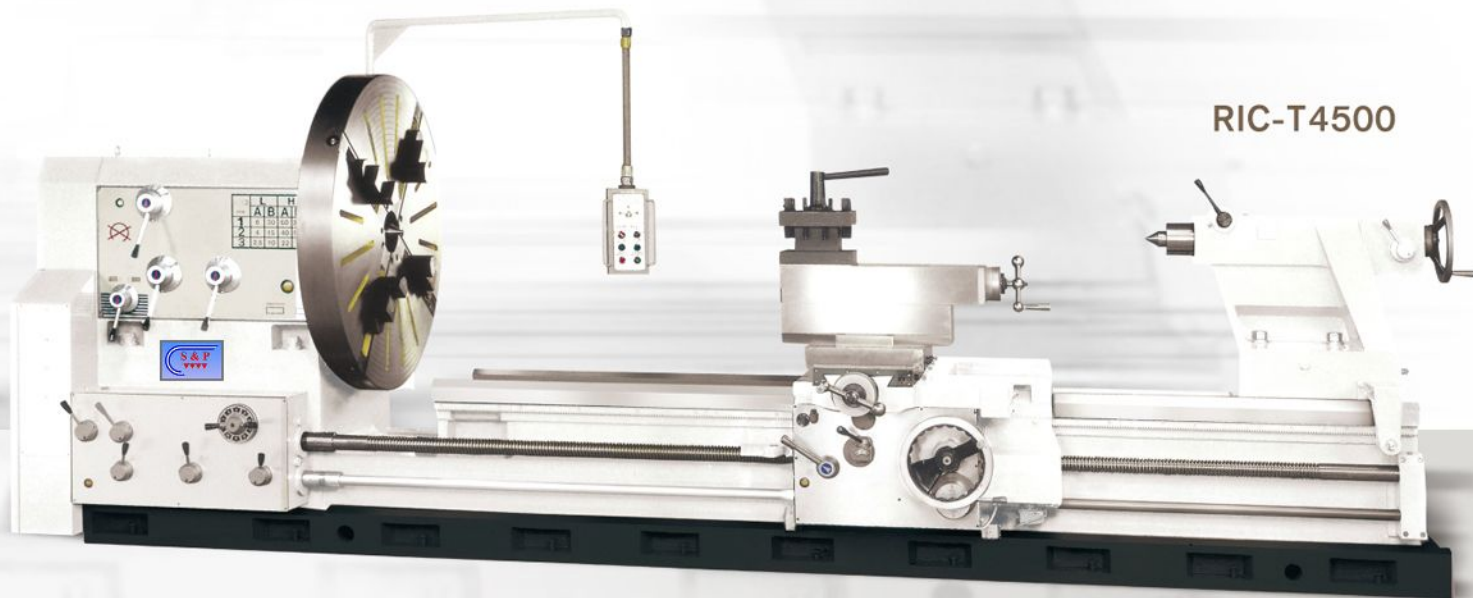
Pneumatic Rapid Threading Device

STANDARD ACCESSORIES:

- 4-Jaw Face Plate 1 PC
- Steady Rest 1 PC
- Center Sleeve 1 PC
- Center 2 PCS
- Foundation Bolt 1 SET
- Tool Box & Tools 1 SET



RIC-T3800



RIC-T4500



S & P

Santos y Patxi Servicio Técnico S.L.
Parque Empresarial ESSER Nave SE-5
20850 Mendaro (Guipúzcoa) España
Tlf. 943741658 Fax. 943742346
Email. santosjose@santosypatxi.com
Wed. www.santosypatxi.com